

Owner's Manual

Indoor Lighting Fixture Installation Instructions

Fixture Warranty

This Westinghouse lighting fixture is warranted against defects in material and workmanship for a period of five years from purchase date. This warranty is in lieu of all other warranties expressed or implied.

This warranty does not cover acts of nature such as lightning damage, or corrosion and discoloration of components, nor does it cover damages caused through abuse, improper installation, surges in electric current, or acts of third parties.

This warranty does not cover the costs of removing and re-installing the lighting fixture.

If this product fails for any reason covered by this warranty, please contact us at www.westinghouse-lighting.com/contact-us.

ASSEMBLY INSTRUCTIONS FOR INDOOR LIGHTING FIXTURE

Congratulations on your Westinghouse purchase. This fixture has been designed to give you many years of beauty and service. For questions and comments, please visit www.westinghouselighting.com/contact-us.

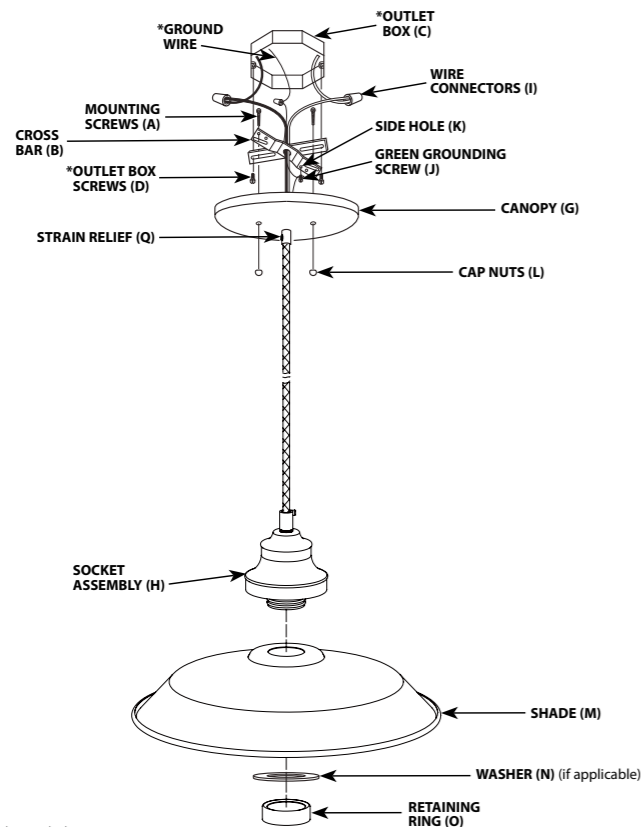
NOTE: Carefully unpack fixture and parts. Make sure all parts are included before discarding any packing materials (see figure 1).

WARNING: ELECTRICAL SHOCK CAN RESULT IN SERIOUS INJURY.

Read and follow instructions exactly as shown. If instructions are unclear, do not proceed. Contact a qualified electrician. Read all instructions before beginning. Proper wiring is essential for safe operation of this fixture. When cutting or drilling into walls or ceilings, do not damage electrical wiring, gas lines, or water lines. If any of the fixture or wiring components are damaged, do not install fixture. Return to place of purchase.

For fixtures provided with 75° C or 90° C supply wire warning only. (These warnings are provided on the U.L. label and on the fixture carton.) Risk of fire. Most dwellings built before 1985 have supply wires rated 60° C. Consult a qualified electrician before installing.

FIGURE 1.



Line art shown may not exactly match the fixture enclosed. However, the installation instructions do apply to this fixture.

*NOT SUPPLIED

MOUNTING AND WIRING INSTRUCTIONS

NOTE: Underwriters Laboratories (UL) does not require all fixtures to have ground wires. These fixtures meet all UL specifications.

1. Turn off power at fuse box to avoid possible electric shock.
2. Thread mounting screws (A) into cross bar (B) approximately 1/4 inch (see fig. 1).
3. Secure cross bar (B) to outlet box (C) with outlet box screws (D) (if applicable).
4. Identify color coding of fixture wires (see figure 2).
5. Connect the black wire from the fixture with the black wire (live wire) from the outlet box (C) by wire connector (I), and wrap the wire connector (I) with electrical tape for a more secure connection.
6. Connect the white wire from the fixture with the white wire (neutral wire) from the outlet box (C) by wire connector (I), and wrap the wire connector (I) with electrical tape for a more secure connection.
7. Partially thread green grounding screw (J) into side hole (K) on cross bar (B) (see figure 1).
8. Wrap grounding wire from fixture around green grounding screw (J) leaving enough excess wire, then connect the excess grounding wire from the fixture with the grounding wire from outlet box (C) by wire connector (I) (if applicable), then wrap the wire connector (I) with electrical tape for a more secure connection.
9. Tighten grounding screw (J). Do not over tighten.
10. Tuck wires inside outlet box (C) (see figure 1).

ADJUSTING LENGTH OF CORD (if needed)

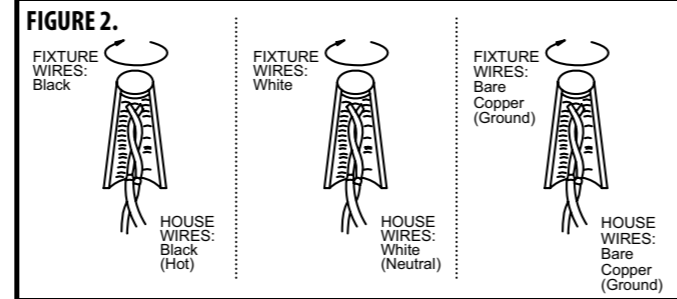
These steps should only be performed by someone familiar with working with electrical wiring. Care must be taken when adjusting the length of the cord to ensure insulation on internal wires is not damaged. If you are not familiar with these steps, seek the aid of a qualified electrician.

1. Loosen the screw in strain relief (Q) until cord slides easily, being careful not to completely remove screw. Slide canopy down cord until the fixture is the desired distance below the canopy. Tighten the screw in the strain relief (Q) until cord does not slide.
2. Cut excess cord approximately six to seven inches (6"-7") above canopy.
3. Leaving at least one inch (1") of outer insulation above the canopy, carefully cut through outer insulation of cord, being careful not to damage inner insulation. Remove outer insulation. Strip inner insulation from end of both wires, leaving approximately 1/2 inch of wire exposed.
4. For cords without differently colored inner insulation, identify the tracer lines on the new ends of the inner wires to match the labels on the original ends and connect to house wiring as described in the appropriate step listed below in the Mounting and Wiring Instructions section.

FIXTURE ASSEMBLY INSTRUCTIONS

Warning: This fixture is for indoor use only.

1. Raise canopy (G) to ceiling, allowing mounting screws (A) to protrude through openings in canopy (G), and secure into place with cap nuts (L) (see fig. 1).
 2. Remove retaining ring (O) from the lamp socket. Raise shade (M) up to socket assembly (H) and secure with washer (N), if applicable, and retaining ring (O).
 3. Install lamp(s). Do not exceed recommended wattage.
 4. Turn power back on at circuit box.
- Note: As an aid in straightening the cord carefully applying heat to the braided cord with a hair dryer will help straighten it.



WARNING

Turn off electricity to the mounting site before beginning installation.

Mounting instructions must be followed exactly as shown for the fixture to be safely supported.

CLEANING AND CARE

To clean, wipe fixture with soft cloth. Clean glass with mild soap. Spray from chemical cleaners can discolor the finish of fixture. Do not use scouring pads, powders, steel wool or abrasive paper to clean this fixture.

NOTE FOR FIXTURES THAT ARE SOLID BRASS:

Your hand-crafted, solid brass lighting fixture has been coated with a durable, baked-on acrylic lacquer which gives maximum protection against the weather. However, in time the brightness of the brass will tarnish, giving way to an authentic old-world brass finish. To keep your solid brass fixture looking new for years to come, regularly apply a good quality, non-abrasive car wax to all metal surfaces, giving the fixture an extra protective covering.

ORDERING PARTS

Keep this manual for future reference, and in case replacement parts are needed. Available parts can be ordered from place of purchase. Use exact wording from diagrams when ordering parts.

Westinghouse Lighting, Philadelphia, PA 19154-1029, U.S.A.

www.westinghouselighting.com

WESTINGHOUSE, and INNOVATION YOU CAN BE SURE OF are trademarks of Westinghouse Electric Corporation.

Used under license by Westinghouse Lighting.

All rights reserved.

Made in China

Guide d'utilisation

Instructions d'installation Appareil d'éclairage pour utilisation intérieure

GARANTIE LIMITÉE DE CINQ ANS

Ce luminaire Westinghouse est garanti pièces et main-d'oeuvre pour une période de Cinq ans à compter de la date d'achat. Cette garantie remplace toute autre garantie, explicite ou implicite.

Cette garantie ne couvre pas les phénomènes naturels comme les dommages de la foudre, ni la corrosion ou la décoloration des composants, pas plus qu'elle ne couvre les dommages causés par les abus, une installation inappropriée, les surtensions électriques ou les actes de tiers.

Cette garantie ne couvre pas les coûts de dépose et de pose du luminaire.

En cas de défaillance du produit, pour une raison quelconque, couverte par cette garantie, veuillez nous contacter via www.westinghouselighting.com/contact-us.

LES INSTRUCTIONS D'ASSEMBLAGE DE L'APPAREIL D'ÉCLAIRAGE POUR UTILISATION INTÉRIEURE

Félicitations ! Vous avez acheté un produit de Westinghouse Lighting. Cet appareil d'éclairage a été conçu pour durer de nombreuses années. Si vous avez des questions ou des commentaires à nous communiquer, veuillez visiter www.westinghouselighting.com/contact-us.

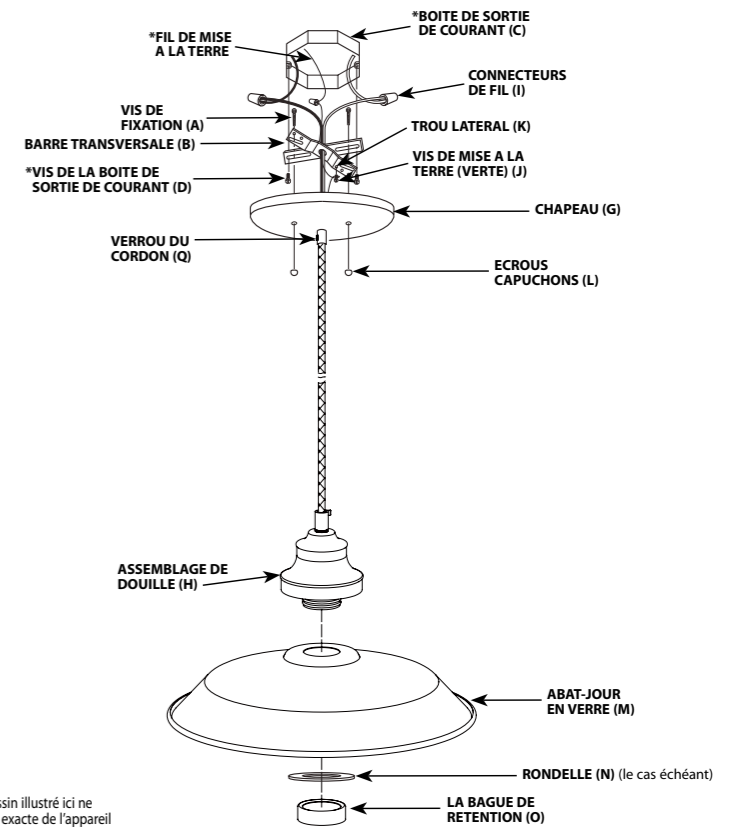
NOTA : Déballiez soigneusement l'appareil d'éclairage et les pièces. Assurez-vous que toutes les pièces y sont avant de mettre l'emballage au rebut (voir fig. 1).

MISE EN GARDE: L'ÉLECTROCUTION POURRAIT CAUSER DE GRAVES BLESSURES PERSONNELLES.

Lisez ces instructions et suivez-les exactement comme illustré. En cas de doute, ne commencez pas l'installation. Consultez un électricien qualifié. Lisez toutes les instructions avant de commencer l'installation. Un câblage approprié est essentiel au bon fonctionnement de cet appareil d'éclairage. Lorsque vous faites une entaille ou que vous percez un trou dans un mur ou un plafond, n'endommagez pas les câbles électriques, les canalisations de gaz ou d'eau. Si l'un des composants de raccordement ou de l'appareil d'éclairage est endommagé, n'installez pas cet appareil d'éclairage. Retournez-le à l'endroit où vous l'avez acheté.

Convient uniquement aux appareils comportant un avertissement indiquant que l'appareil d'éclairage est doté d'un fil supportant une chaleur de 75°C ou 90°C. (Ces avertissements se trouvent sur l'étiquette U.L. et sur l'emballage de l'appareil d'éclairage.)

FIGURE 1.



Il est possible que le dessin illustré ici ne soit pas la reproduction exacte de l'appareil d'éclairage contenu dans la boîte. Les instructions d'installation demeurent cependant valables.

*NON FOURNI

