

## IMPORTANT SAFETY INSTRUCTIONS

- Be sure the electricity to the system you are working on is turned off; either the fuse removed or the circuit breaker set at off.
- Use of other manufacturers components will void warranty, listing and create a potential safety hazard.
- To reduce the risk of fire, electric shock, or personal injury, mount to outlet box or supporting system able to support the weight of the fixture.
- If you are unclear as to how to proceed, contact a qualified electrician.
- You don't need special tools to install this fixture.
- Be sure to follow the steps in the order given.
- Under no circumstances should a fixture be hung on house electrical wires, nor should a swag type fixture be installed on a ceiling which contains a radiant type heating system.
- Read instructions carefully.
- Save these instructions.

## CLEANING

To clean, wipe fixture with a soft cloth. Clean glass with a mild soap. Do not use abrasive materials such as scouring pads or powders, steel wool or abrasive paper.

## ORDERING PARTS

Keep this sheet for future reference, and in case you need to order replacement parts. Parts for this fixture can be ordered from place of purchase. Be sure to use exact wording from illustration when ordering parts.

## BEFORE YOU BEGIN

Carefully remove the fixture from the carton and check that all parts are included, as shown in figure 1. Be careful not to misplace any of the screws or parts which are needed to install this fixture.

## INSTALLATION

**IMPORTANT: DO NOT ATTACH FIXTURE DIRECTLY TO OUTLET BOX.**

### STEP 1:

Thread fixture loop (H) to fixture.

### STEP 2:

Secure mounting bar (A) to outlet box with outlet box screws (not supplied). Thread nut (B) on nipple (C) so that 5 threads are exposed above nut (B). Thread nipple (C) into mounting bar (A) and secure with nut (B). Thread screw collar (E) to nipple (C).

### STEP 3:

Using 2 pairs of pliers or chain breaks, open one link of chain (G) and connect it to the fixture loop (H) at the top of the fixture. Chain should be opened outward, do not twist.

### STEP 4:

Slide the screw collar ring (F) and canopy (D), in that order, over chain (G). Open one link on the other end of the chain (G) and attach it to the screw collar (E) which has been mounted to the ceiling nipple (C). **BE SURE TO CLOSE ALL CHAIN LINKS COMPLETELY.**

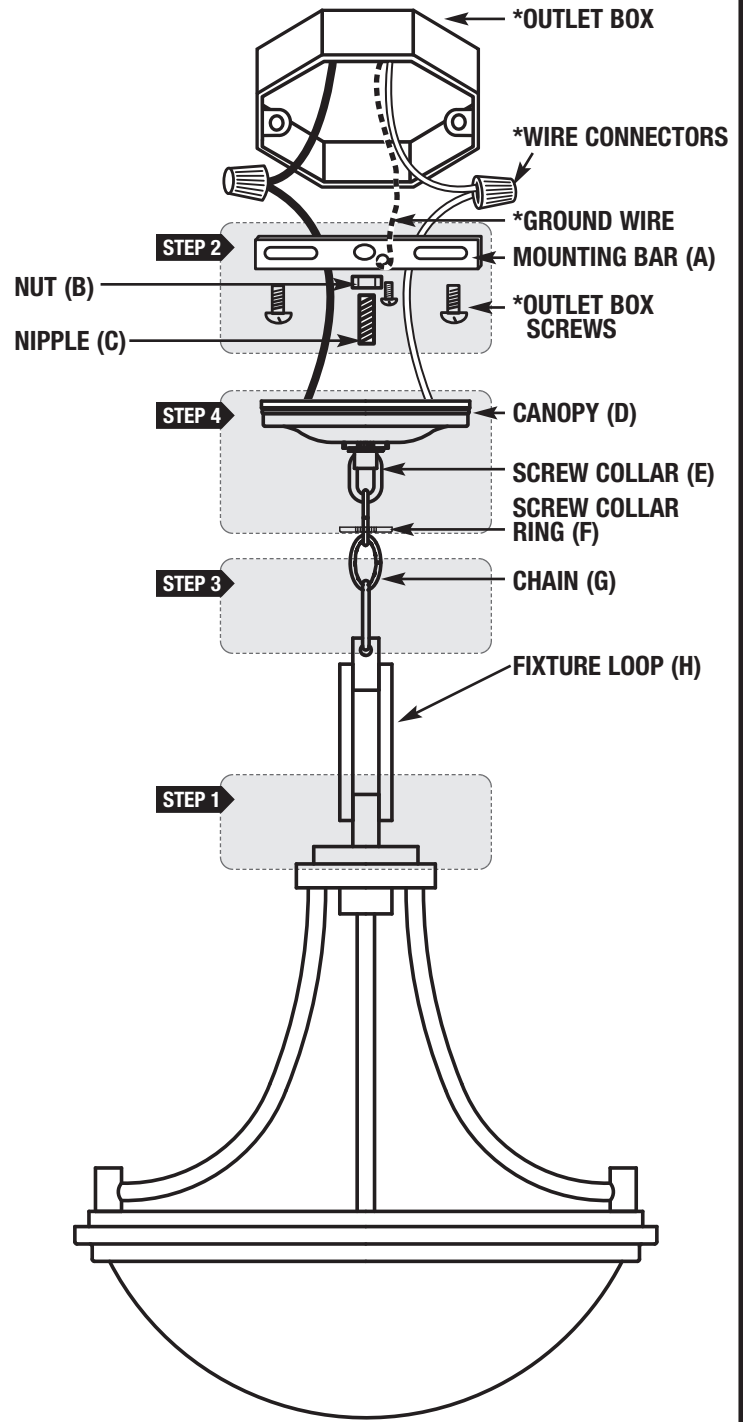


FIGURE 1

\*NOT SUPPLIED

WIRING

STEP 5:

- A. Use a listed wire connector to connect the fixture hot wire (black wire, or round and smooth tracer) to the supply hot wire.
- B. Use a listed wire connector to connect the fixture common wire (white wire, or square and rigid) to the supply common wire.
- C. Gently try to remove the wires from the connector. If you can remove the wires, carefully re-do the wiring connection.

STEP 6:

**GROUNDING INSTRUCTIONS:** The green grounding screw (D) is to be inserted into the hole with two raised dimples provided on the mounting bar (A). Wrap the ground wire (F) from the fixture and the ground wire from the outlet box (bare metal or green insulated wire) around the green grounding screw (D) on the mounting bar (A) if uninsulated wire is on the mounting bar (A), connect the ground wire (F) from the fixture and the outlet box to it using a small wire connector (not supplied). **NEVER CONNECT GROUND WIRE TO BLACK OR WHITE POWER SUPPLY WIRES.**

FINAL ASSEMBLY

Make sure no bare wires can be seen outside wire connectors.

STEP 7

After wires are connected, tuck them carefully inside outlet box and then raise the canopy (D) against ceiling and thread the screw collar ring (F) to the screw collar (E) to secure.

STEP 8:

Install lamps (not supplied).

STEP 9:

Rest diffuser (K) on the inside lip of decorative ring (L).

STEP 10:

Raise decorative ring (L) to the fixture ring (M) so mounting studs (O) protrude through both rings. Secure by threading retaining screws (N) onto mounting studs (O).

STEP 11:

Place washers over threaded holes of top diffuser mounting area. Place top diffusers (I) onto washers and secure by threading top diffuser retaining screws (J) through top diffusers (I), washers, and threaded holes of top diffuser mounting area.

